

Industrial Valve and Engineering Supplies (Pty) Ltd (IVES)

Valve and Engineering Merchant Company (Pty) Ltd (VEMCO)

Importers
Distributors



Brand Valves
Pipes and Fittings

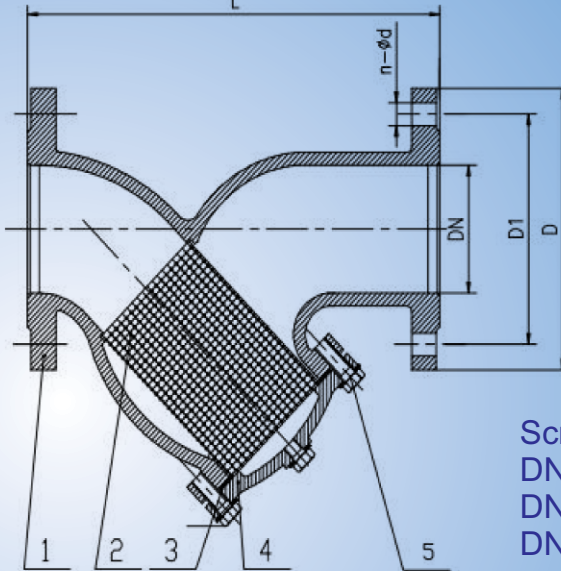
*Break Away
Brand Valves*

FIG 7754FINP C/I STRAINER FLANGED PN16 NEW PATTERN



NOMINAL PRESSURE	1.6	Mpa
TESTING PRESSURE	2.4	
SHELL SEALIN	1.8	

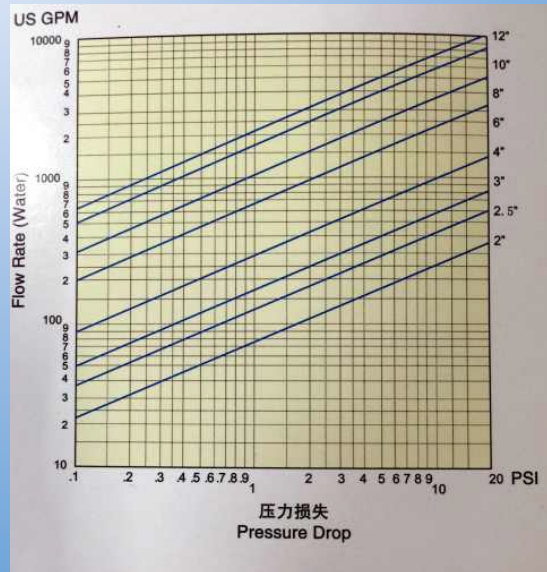
		Weight Kg/EA
Y STRAINER WORK PRESSURE:PN16 BODY:DI SCREEM:SS304 #7754FINP	DN50	5
	DN65	6
	DN80	7.5
	DN100	9.5
	DN125	14
	DN150	16
	DN200	29
	DN250	47
DN300	58	



Screen Diameter:
DN50-DN100: 1.5mm
DN125-DN200:2mm
DN250-Dn300:3mm

DN	L	PN16		
		D	D1	n-d
50	202	155	125	4-18
65	220	176	145	4-18
80	248	190	160	8-18
100	297	210	180	8-18
125	315	238	210	8-18
150	347	270	240	8-22
200	413	328	295	12-22
250	502	396	355	12-26
300	582	455	410	12-26

5	BOLT	CARBON STEEL
4	BONNET	DUCTILE IRON
3	SEATING	RUBBER
2	SCREEM	SS304
1	BODY	DUCTILE IRON
NO.	PARTS NAME	MATERIAL



All Specifications are subject to change without notice

Head Office:

+27-11-394-2066 (21 Lines)
sales@industrialvalve.co.za
www.industrialvalve.co.za
114 Plane Road
Spartan
Gauteng
South Africa

KZN Branch:

+27-31-205-0218
laven@industrialvalve.co.za
www.industrialvalve.co.za
Unit 1.5
Canberra Park
Canberra Road
Umbilo
Durban

Cape Town Branch:

+27-21-982-0302
ivesct@industrialvalve.co.za
www.industrialvalve.co.za
Unit 14 Silver Park
Silver Street
Brackenfell
Cape Town