

Industrial Valve and Engineering Supplies (Pty) Ltd (IVES)

Valve and Engineering Merchant Company (Pty) Ltd (VEMCO)

Importers
Distributors



Brand Valves
Pipes and Fittings

Break Away
Brand Values

BMC Pressure Gauges

Bourdon tube pressure gauge
Standard version
Model 115A

Mechanical pressure movement

Applications

- ! For measuring points with high dynamic pressure loads or vibrations
- ! For gaseous and liquid media that are not highly viscous or crystallising and will not attack copper alloy parts
- ! Hydraulics
- ! Compressors, shipbuilding

Special features

- ! Vibration and shock resistant
- ! Design per EN 837-1
- ! Nominal size 40, 50, 63, 80 and 100
- ! Scale ranges up to -1... 0 ... 1000 bar

Description

- Nominal size in mm: 40, 50, 63, 80 and 100
- Accuracy class:
 - NS 40: 2.5
 - NS 50,63,80: 1.6
 - NS 100: 1.0
- Scale ranges: 0 ... 0.6 to 0 ... 1000 bar
or all equivalent vacuum or combined pressure and vacuum ranges
- Pressure limitation
 - NS 40,50, 63:
 - Steady: 3/4 x full scale value
 - Fluctuating: 2/3 x full scale value
 - Short time: Full scale value
 - NS 100: Steady: Full scale value
 - Fluctuating: 0.9 x full scale value
 - Short time: 1.3 x full scale value
- Permissible temperature:
 - Ambient: -20 ... +60 °C
 - Medium: +60 °C maximum
- Temperature effect:
 - When the temperature of the measuring system deviates from the reference temperature (+20 °C): max. $\pm 0.4 \%$ /10 K of the span



All Specifications are subject to change without notice

Head Office:

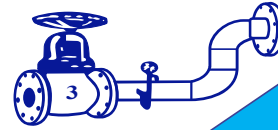
+27-11-394-2066 (21 Lines)
sales@industrialvalve.co.za
www.industrialvalve.co.za
114 Plane Road
Spartan
Gauteng
South Africa

KZN Branch:

+27-31-205-0218
laven@industrialvalve.co.za
www.industrialvalve.co.za
Unit 1.5
Canberra Park
Canberra Road
Umbilo
Durban

Cape Town Branch:

+27-21-982-0302
ivesct@industrialvalve.co.za
www.industrialvalve.co.za
Unit 14 Silver Park
Silver Street
Brackenfell
Cape Town



Industrial Valve and Engineering Supplies (Pty) Ltd (IVES)

Valve and Engineering Merchant Company (Pty) Ltd (VEMCO)

**Importers
Distributors**



**Brand Valves
Pipes and Fittings**

*Break Away
Brand Values*

BMC Pressure Gauges

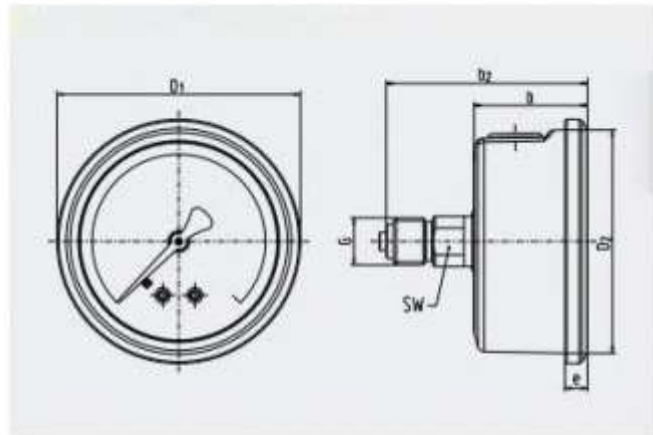
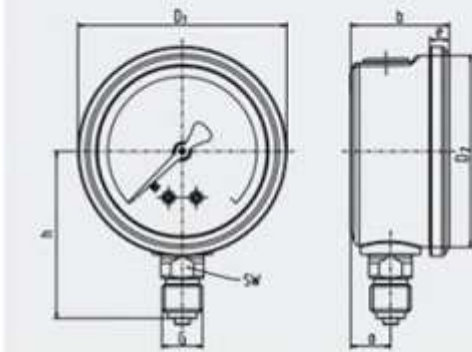
Standard version

- Process connection: Copper alloy lower mount (LM) or back mount (BM)
- Pressure element(bourdon tube): Copper alloy C-type or helical type
- Movement: Copper alloy
- Dial: Aluminum, dial scale can be customized
- Pointer: Aluminum, black or white
- Window: Poly-carbonate
- Case: polished or matte stainless steel
- O-ring seal between case and connection.
- Bezel ring: Crimp ring or bayonet bezel
- Filling liquid: Glycerine or silicone

Dimensions in mm

Standard version

Lower mount (LM)



| NS | Dimensions in mm | | | | | | | | | | Weight in kg |
|-----|------------------|--------|---------------------|----------------|----------------|-----|---|--------------------|------|----|--------------|
| | a | b ±0.5 | b ₂ ±0.5 | D ₁ | D ₂ | e | f | G | h ±1 | SW | |
| 40 | 11 | 28 | 49 | 43 | 40 | 5 | - | G _{1/8} B | 41 | 11 | 0.11 |
| 50 | 12 | 30 | 55 | 55 | 50 | 5.5 | - | G _{1/4} B | 48 | 14 | 0.15 |
| 63 | 13 | 32 | 56 | 68 | 62 | 6.5 | - | G _{1/4} B | 54 | 14 | 0.21 |
| 100 | 14.5 | 39 | 59 | 110 | 100 | 7 | - | G _{1/2} B | 77 | 22 | 0.41 |

All Specifications are subject to change without notice

Head Office:

+27-11-394-2066 (21 Lines)
sales@industrialvalve.co.za
www.industrialvalve.co.za
114 Plane Road
Spartan
Gauteng
South Africa

KZN Branch:

+27-31-205-0218
laven@industrialvalve.co.za
www.industrialvalve.co.za
Unit 1.5
Canberra Park
Canberra Road
Umbilo
Durban

Cape Town Branch:

+27-21-982-0302
ivesct@industrialvalve.co.za
www.industrialvalve.co.za
Unit 14 Silver Park
Silver Street
Brackenfell
Cape Town