

Industrial Valve and Engineering Supplies (Pty) Ltd (IVES)

Valve and Engineering Merchant Company (Pty) Ltd (VEMCO)

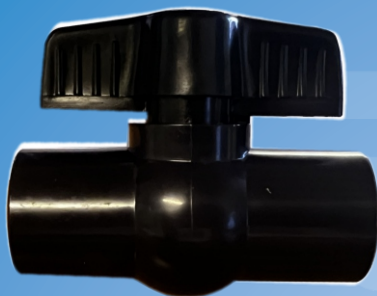
Importers
Distributors



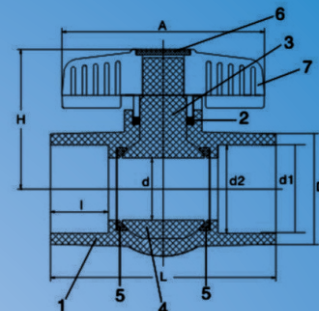
Brand Valves
Pipes and Fittings

*Break Away
Brand Valves*

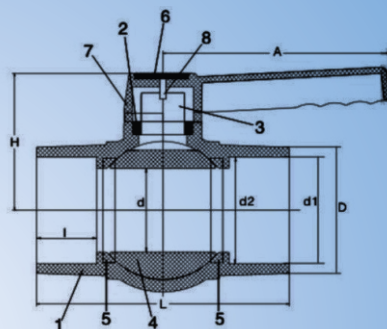
FIG PVCBVECBSPI PVC COMPACT BALL VALVE BSPT



Size: 1/2"-4"
Threaded BSPT
Working Pressure 1/2"-2" - 16 Bar
2 1/2"-4" - 10 Bar



SPECIFICATION OF MATERIAL			
NO	PART	MATERIAL	QTY
1	BODY	UPVC,CPVC	1
2	STEM O-RING	EPDM,FPM(NBR)	1
3	STEM	UPVC,CPVC	1
4	BALL	UPVC,CPVC	1
5	SEAT SEAL	TPE,TPV,TPO	2
6	CAP	PVC,ABS,PP	1
7	HANDLE	PVC,ABS,PP	1
8	SCREW	SS304,STEEL	1



SIZE	PCS/CTN	cbm/ctn	DIN(mm)	inch	weight (kg)
3/4"	150	0.057	25	3/4"	90.4
1"	100	0.057	32	1"	146
1-1/4"	50	0.058	40	1 1/4"	216
1-1/2"	38	0.058	50	1 1/2"	305
2"	25	0.057	63	2"	495
2-1/2"	20	0.057	75	2 1/2"	888
3"	12	0.057	90	3"	1308
4"	6	0.057	110	4"	2345

DIMENSION : mm

DN	15	20	25	32	40	50	65	80	100
SIZE	1/2"	3/4"	1"	1-1/4"	1-1/2"	2"	2-1/2"	3"	4"
thd/ in	NPT	14	14	11.5	11.5	11.5	11.5	8	8
	BSPT	14	14	11	11	11	11	11	11
JIS	l	20	23	25	27	31	34	45	55
	d1	22.3	26.3	32.33	38.43	48.46	60.56	76.60	89.60
	d2	21.7	25.7	31.67	37.57	47.54	59.44	75.87	88.83
ANSI	l	20	23	25	27	31	34	45	55
	d1	21.54	26.87	33.65	42.42	48.56	60.63	73.38	89.31
	d2	21.23	26.57	33.27	42.04	48.11	60.17	72.85	88.7
DIN	l	20	23	25	27	31	34	45	55
	d1	20.3	25.3	32.3	40.3	50.3	63.3	75.3	90.3
	d2	20	25	32	40	50	63	75	90
d	15	19	24	30	34	45	55	70	85
H	37	55	66	73	81	91	99	121	134
A	68	80	94	100	110	136	170	210	236
L	77	91	103	111	123	146	178	210	255
D	30	35.5	43	52	62	75	91	106	130

All Specifications are subject to change without notice

Head Office:

+27-11-394-2066 (21 Lines)
sales@industrialvalve.co.za
www.industrialvalve.co.za
114 Plane Road
Spartan
Gauteng
South Africa

KZN Branch:

+27-31-205-0218
laven@industrialvalve.co.za
www.industrialvalve.co.za
Unit 1.5
Canberra Park
Canberra Road
Umbilo
Durban

Cape Town Branch:

+27-21-982-0302
ivesct@industrialvalve.co.za
www.industrialvalve.co.za
Unit 14 Silver Park
Silver Street
Brackenfell
Cape Town