

Industrial Valve and Engineering Supplies (Pty) Ltd (IVES)

Valve and Engineering Merchant Company (Pty) Ltd (VEMCO)

Importers
Distributors



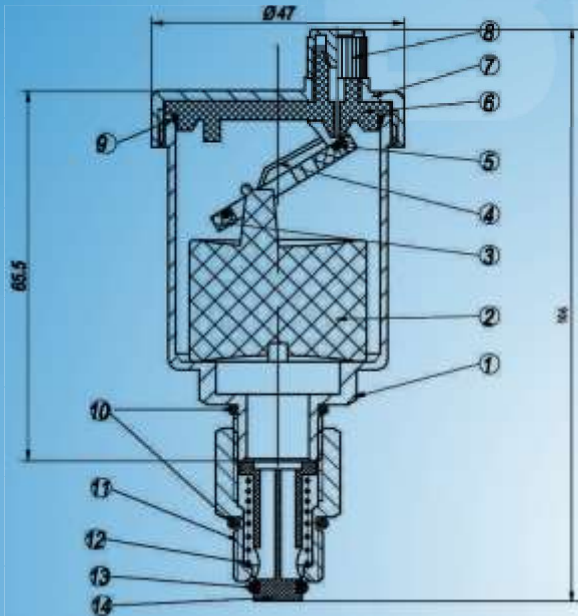
Brand Valves
Pipes and Fittings

*Break Away
Brand Values*

FIG AIRVENTI BRASS AIR VENT SCREWED BSP

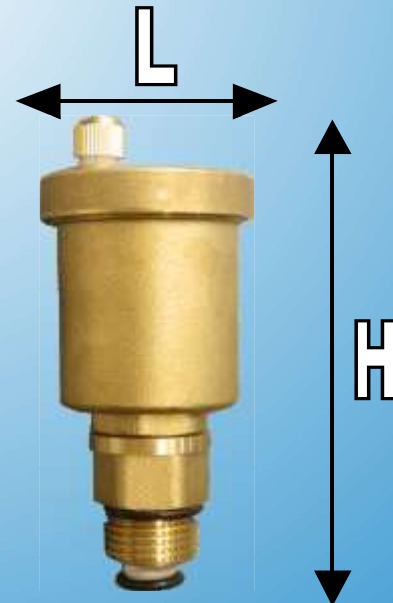
MAX WORKING PRESSURE WATER :10 BAR

MAX TEMPERATURE : 110 DEG C



item	parts	material
1	body	brass
2	float ball	Plastic
3	Joint	POM
4	spring	304 stianless steel
5	gasket	silica gel
6	plastic cover	pom
7	valves bonnet	brass
8	valves bonnet	brass
9	sealing O ring	EPDM
10	sealing O ring	EPDM
11	check valve joint	POM
12	O ring	EPDM
13	Spring	304 stianless steel
14	Check valves body	brass
15	outer O ring	EPDM

DN	SIZE	H	L	Weight g
DN 10	3/8"	102	47	200
DN 15	1/2"	102.5	47	300



ISO228(equivalent to DIN 256 and BS2779)

All Specifications are subject to change without notice

Head Office:

+27-11-394-2066 (21 Lines)
sales@industrialvalve.co.za
www.industrialvalve.co.za
114 Plane Road
Spartan
Gauteng
South Africa

KZN Branch:

+27-31-205-0218
laven@industrialvalve.co.za
www.industrialvalve.co.za
Unit 1.5
Canberra Park
Canberra Road
Umbilo
Durban

Cape Town Branch:

+27-21-982-0302
ivesct@industrialvalve.co.za
www.industrialvalve.co.za
Unit 14 Silver Park
Silver Street
Brackenfell
Cape Town