

Industrial Valve and Engineering Supplies (Pty) Ltd (IVES)

Valve and Engineering Merchant Company (Pty) Ltd (VEMCO)

Importers
Distributors



Brand Valves
Pipes and Fittings

Break Away
Brand Valves

FIG 7520FFFSRL Flanged Diaphragm Valve CI Soft Rubber Lined , Full Flow



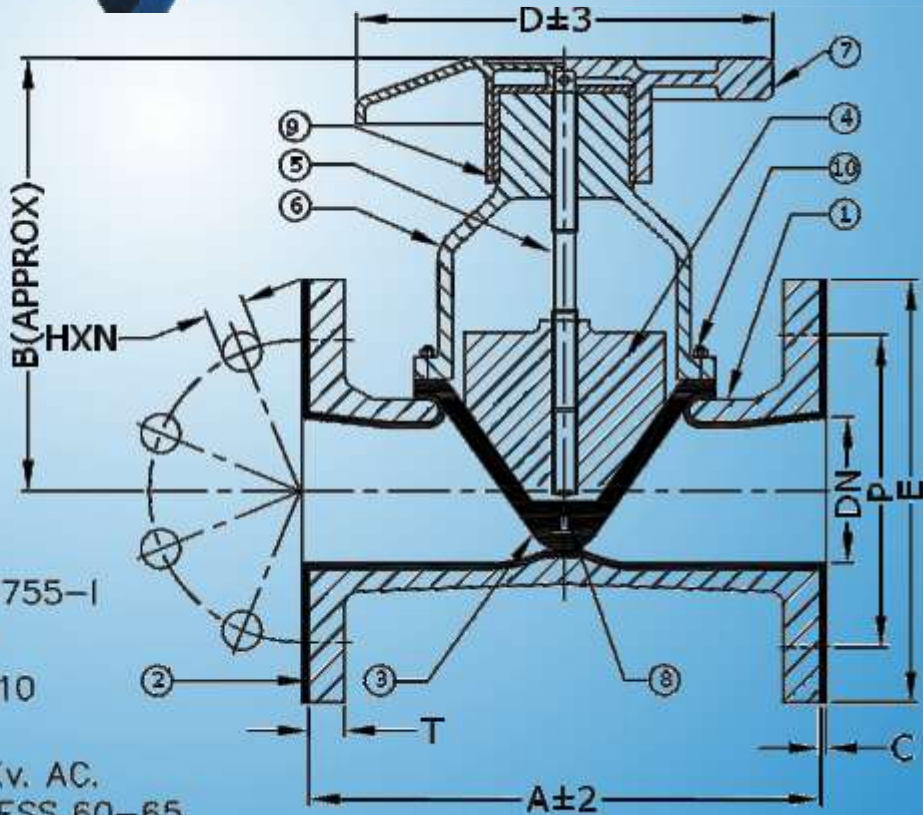
DIMENSIONS							APPROX WEIGHT
DN	A	B	C	D	E	T	KGS
50	190	200	3	120	165	20	11.5
65	216	250	3	182	185	20	16.5
80	254	250	3	227	200	22	24.7
100	305	355	5	271	220	24	36.8
125	356	360	5	375	250	26	54.5
150	406	530	5	375	285	26	87.3

TEST PRESSURE		
SIZES	BODY	SEAT
50MM - 100MM	15KG/CM2	10KG/CM2
125MM - 150MM	10KG/CM2	07KG/CM2
DURATION: 1 MINUTE		

MATERIAL SPECIFICATION		
SN.	COMPONENT	MATERIAL
1	BODY	CAST IRON CASTING- GG25
2	LINING	SOFT NATURAL RUBBER
3	DIAPHRAGM	SOFT NATURAL RUBBER
4	COMPRESSOR	CAST IRON CASTING- GG25
5	SPINDLE	S.S.410
6	BONNET	CAST IRON CASTING- GG25
7	HANDWHEEL	ABS/DUCTILE - GG640
8	STUD	M.S.
9	INDICATOR	PP
10	FASTENER	M.S.

TECHNICAL DATA

- MFG. STD: BS5156
- MFG. STD: Revised. BS EN 13397 : 2002.
- INSP & TEST STD: BS: 6755-1
- FLANGED & UNDRILLED
- PRESSURE RATING: PN10
- SPARK TESTING OF RUBBER LINING AT 10 Kv. AC.
- RUBBER LINING HARDNESS 60-65 IN SHORE 'A'



Please Note That Valves Are Undrilled
Can Be drilled Upon Request

All Specifications are subject to change without notice

Head Office:

+27-11-394-2066 (21 Lines)
sales@industrialvalve.co.za
www.industrialvalve.co.za
114 Plane Road
Spartan
Gauteng
South Africa

KZN Branch:

+27-31-205-0218
laven@industrialvalve.co.za
www.industrialvalve.co.za
Unit 1.5
Canberra Park
Canberra Road
Umbilo
Durban

Cape Town Branch:

+27-21-982-0302
ivesct@industrialvalve.co.za
www.industrialvalve.co.za
Unit 14 Silver Park
Silver Street
Brackenfell
Cape Town