

Industrial Valve and Engineering Supplies (Pty) Ltd (IVES)

Valve and Engineering Merchant Company (Pty) Ltd (VEMCO)

Importers
Distributors



Brand Valves
Pipes and Fittings

Break Away
Brand Values

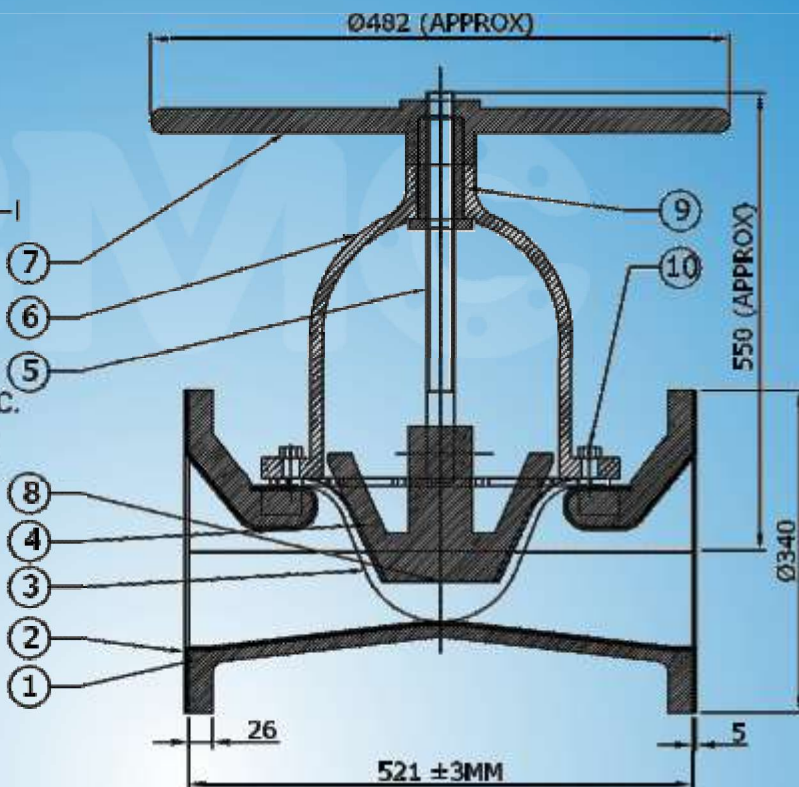
FIG 7520FFFSRL

DIAPHRAGM VALVE FLGD 200MM

ALL DIMENSIONS ARE IN MM.

TECHNICAL DATA

- MFG. STD: BS5156
- MFG. STD: Revised.
BS EN 13397 : 2002.
- INSP & TEST STD: BS: 6755-I
- END CONNECTION :
FLANGED & UNDRILLED
- PRESSURE RATING: PN6
- SPARK TESTING OF
'RUBBER LINING AT 10 Kv. AC.
Shore D hardness : 60-65.



MATERIAL SPECIFICATION		
SN.	COMPONENT	MATERIAL
1	BODY	CAST IRON CASTING - GG25
2	LINING	SOFT NATURAL RUBBER
3	DIAPHRAGM	SOFT NATURAL RUBBER
4	COMPRESSOR	CAST IRON CASTING - GG25
5	SPINDLE	AISI 410
6	BONNET	CAST IRON CASTING - GG25
7	HANDWHEEL	DUCTILE IRON - GGG40
8	STUD	M.S.
9	STEM NUT	DUCTILE IRON - GGG40
10	FASTENER	M.S.

200MM VALVE APPROX WEIGHT 128.5 KG

TEST PRESSURE		
SIZES	BODY	SEAT
200MM	9KG/CM2	4KG/CM2
DURATION: 1 MINUTE		

All Specifications are subject to change without notice

Head Office:

+27-11-394-2066 (21 Lines)
sales@industrialvalve.co.za
www.industrialvalve.co.za
114 Plane Road
Spartan
Gauteng
South Africa

KZN Branch:

+27-31-205-0218
laven@industrialvalve.co.za
www.industrialvalve.co.za
Unit 1.5
Canberra Park
Canberra Road
Umbilo
Durban

Cape Town Branch:

+27-21-982-0302
ivesct@industrialvalve.co.za
www.industrialvalve.co.za
Unit 14 Silver Park
Silver Street
Brackenfell
Cape Town