

Industrial Valve and Engineering Supplies (Pty) Ltd (IVES)

Valve and Engineering Merchant Company (Pty) Ltd (VEMCO)

Importers
Distributors

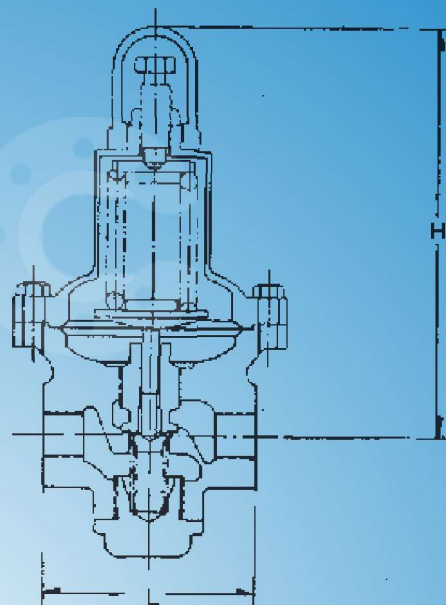


Brand Valves
Pipes and Fittings

Break Away
Brand Valves

FIG 7250

STEAM PRESSURE REDUCING VALVE



DIMENSION

mm

Size	inch	1/2	3/4	1
	mm	15	20	25
L		95	95	101
H		196	196	202
WEIGHTS (Kg)		3.9	3.9	4.9

* Please name MODEL NO. when negotiation.

Test Pressure: Body 20 Kgf/cm² (Hydrostatic)

Primary Pressure: 0.3 Kgf/cm² – 2 Kgf/cm²

1 Kgf/cm² – 7.5 Kgf/cm²

Max. Temperature: 220°C

Thread: BS21, ANSI B2.1 or DIN-259.

MATERIAL

Model:	PR 3A
Body Cap	CAST IRON ASTM A126 CLASS B
Bottom Cover	CAST IRON ASTM A126 CLASS B
Gasket	ASBESTOS
Diaphragm	ST. ST.
Seat/Disc/Stem	STEEL
Spring	ST. ST.
Spring Seat	STEEL
Packing	PTFE
Adjust Scr. Nut	BRASS
Bolt	STEEL

All Specifications are subject to change without notice

Head Office:

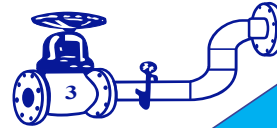
+27-11-394-2066 (21 Lines)
sales@industrialvalve.co.za
www.industrialvalve.co.za
114 Plane Road
Spartan
Gauteng
South Africa

KZN Branch:

+27-31-205-0218
laven@industrialvalve.co.za
www.industrialvalve.co.za
Unit 1.5
Canberra Park
Canberra Road
Umbilo
Durban

Cape Town Branch:

+27-21-982-0302
ivesct@industrialvalve.co.za
www.industrialvalve.co.za
Unit 14 Silver Park
Silver Street
Brackenfell
Cape Town



Industrial Valve and Engineering Supplies (Pty) Ltd (IVES)

Valve and Engineering Merchant Company (Pty) Ltd (VEMCO)

Importers
Distributors



Brand Valves
Pipes and Fittings

*Break Away
Brand Values*

FIG 7250

STEAM PRESSURE REDUCING VALVE

FC-20 PRESSURE REDUCING VALVE CLASS 10K

SCREWED END : PR-3AS

FLANGED END : PR-3AF

FLOW CAPACITY (KG/H)

WORK PRESSURE SIZE	PRESSURE BAR						
	1 Kgs	2 Kgs	3 Kgs	4 Kgs	5 Kgs	6 Kgs	7 Kgs
1/2"		580	630	800	1100	1300	1600
3/4"		820	1100	1500	1800	2000	2200
1"		1500	1800	2200	2800	3200	3700
1.1/4"		2500	3000	3800	4200	5100	6200
1.1/2"		3200	4000	5200	6000	7500	9800
2"		5600	6000	7500	8200	8900	11000
2.1/2"		9000	9800	11000	14000	16000	20000
3"		12000	14000	16000	20000	25000	28000
4"		20000	22000	24000	26000	28000	32000
6"		35000	38000	48000	57000	68000	82000

1. Pipes must be neat and clean before fitted.
2. Inlet pressure 10 Kgs x 0.6 = 6 Kgs Outlet pressure.
3. A Y-Strainer has to be installed in the front of pressure reducing valve best for long usage.
4. Pressure reducing valve should be setting on the horizontal position. (vertical setting is prohibited)

All Specifications are subject to change without notice

Head Office:

+27-11-394-2066 (21 Lines)
 sales@industrialvalve.co.za
 www.industrialvalve.co.za
 114 Plane Road
 Spartan
 Gauteng
 South Africa

KZN Branch:

+27-31-205-0218
 laven@industrialvalve.co.za
 www.industrialvalve.co.za
 Unit 1.5
 Canberra Park
 Canberra Road
 Umbilo
 Durban

Cape Town Branch:

+27-21-982-0302
 ivesct@industrialvalve.co.za
 www.industrialvalve.co.za
 Unit 14 Silver Park
 Silver Street
 Brackenfell
 Cape Town



FIG 7250

STEAM PRESSURE REDUCING VALVE

PRESSURE REDUCING VALVE

Blow-Off Capacity of Saturated Steam

P1 = Inlet Pressure ?kgf / cm²g?

P2 = Outlet Pressure ?kgf / cm²g?

kgs / h

p1 \ p2	3 kg	3.5 kg	4 kg	4.5 kg	5 kg	5.5 kg	6 kg	6.5 kg	7 kg	7.5 kg	8 kg	8.5 kg	9 kg	9.5 kg	10 kg
1 kg	47.5	53.5													
1.5 kg	42.5	51.1	59.2	65.3											
2 kg	36.1	45.6	54.4	63.1	71.2	77.2									
2.5 kg	26.5	38.5	48.7	57.8	66.5	74.8	83.2	89.2							
3 kg		28.1	41.1	51.5	61.0	70.1	78.3	86.5	95.1	100.0					
3.5 kg			29.8	43.2	54.3	64.1	73.4	82.1	90.3	98.5	107.2	112.5			
4 kg				31.5	45.2	56.5	67.1	76.3	85.2	93.5	106.1	110.2	119.0	124.8	
4.5 kg					32.6	47.3	59.2	69.8	79.3	88.5	102.1	105.6	114.1	122.1	130.8
5 kg						34.1	49.1	61.5	72.2	82.2	97.2	100.5	109.2	117.6	126.0
5.5 kg								51.1	63.8	74.7	85.1	94.5	103.7	112.6	121.2
6 kg										65.8	77.2	87.7	97.5	106.8	115.8
6.5 kg												79.6	90.4	100.2	108.8
7 kg														92.8	103.1

$p1 = p2 \times cv$

MODEL		1/2"	3/4"	1"	1.1/4"	1.1/2"	2"	2.1/2"	3"	4"	5"	6"
PR-3AF	CV	1	2.5	4	6.5	9	16	25	36	62	92	125
PR-3AS	CV	1	2.5	4	--							

ex. p1 Input 6.5 kgs – p2 output 3.5 kgs

2.1/2" 82.1 x 25 = 2052.50 kgs/h

All Specifications are subject to change without notice

Head Office:
+27-11-394-2066 (21 Lines)
sales@industrialvalve.co.za
www.industrialvalve.co.za
114 Plane Road
Spartan
Gauteng
South Africa

KZN Branch:
+27-31-205-0218
laven@industrialvalve.co.za
www.industrialvalve.co.za
Unit 1.5
Canberra Park
Canberra Road
Umbilo
Durban

Cape Town Branch:
+27-21-982-0302
ivesct@industrialvalve.co.za
www.industrialvalve.co.za
Unit 14 Silver Park
Silver Street
Brackenfell
Cape Town