

Industrial Valve and Engineering Supplies (Pty) Ltd (IVES)

Valve and Engineering Merchant Company (Pty) Ltd (VEMCO)

Importers
Distributors



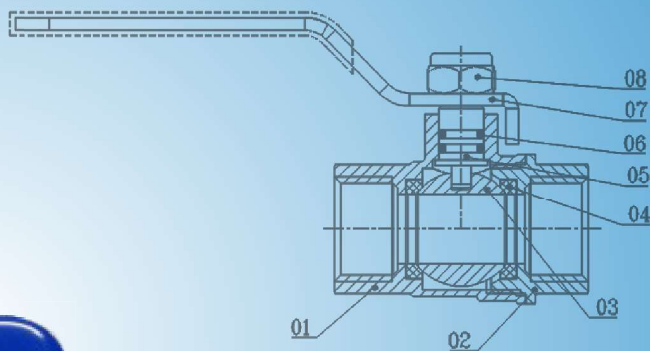
Brand Valves
Pipes and Fittings

*Break Away
Brand Valves*

FIG 2162I

Brass CP Ball Valve PN 25

Technical Standard
1. Nominal Pressure 25 Bar
2. Working Medium: Water, Gas
3. Working Temperature: -20°C (lagged) to 100°C
4. Thread Standard: ISO228 (Equivalent to DIN 259 and BS2779)



Item No	Size	DN	L	D	H	PN	Weight	Pcs/ Carton
2162I	1/4"	10	42	82	44	25	128g	216
	3/8"	10	42	82	44		118g	216
	1/2"	14	51	90	42		173g	144
	3/4"	18	58	98	46.5		245g	96
	1"	23	66.4	105	51.8		375g	60
	1-	30	76	130	61.2		600g	36
	1-	36	87	130	66.2		850g	24
	2"	48	100	145	78		1285g	12
	2-	69	127.1	215	102.7		2650g	4
	3"	63	141	215	110.5		3600g	2
4"	79	167	245	132	6390g	2		

item	parts	material
1	body	Forging Brass
2	bonnet	Forging Brass
3	ball	Brass
4	Ball seat	P.T.F.E
5	Stem	Brass
6	O-ring	N B R
7	Handle	Chrome plated iron handle
8	Nut	Lockable Nut

All Specifications are subject to change without notice

Head Office:

+27-11-394-2066 (21 Lines)
sales@industrialvalve.co.za
www.industrialvalve.co.za
114 Plane Road
Spartan
Gauteng
South Africa

KZN Branch:

+27-31-205-0218
laven@industrialvalve.co.za
www.industrialvalve.co.za
Unit 1.5
Canberra Park
Canberra Road
Umbilo
Durban

Cape Town Branch:

+27-21-982-0302
ivesct@industrialvalve.co.za
www.industrialvalve.co.za
Unit 14 Silver Park
Silver Street
Brackenfell
Cape Town