

INDUSTRIAL VALVE AND ENGINEERING SUPPLIES (Pty) Ltd.(IVES)

VAT REG NO: 4280104276 CO REG NO 83/05965/07

VALVE AND ENGINEERING MERCHANT COMPANY (Pty) Ltd (VEMCO)

VAT REG NO: 4200211854 CO REG NO 1979/002851/07



Branch : Address :

Head Office: 114 Plane Road, Spartan, Gauteng

Durban: Unit 1.5 Canberra Park, Canberra Road, Umbilo

Cape Town: Unit 14 Silver Park, Silver Street, Brackenfell

Tel :

27-11-394-2066(21 lines)

27-31-205-0218

27-21-982-0302

Fax :

27-11-394-2476

27-31-205-0210

27-21-982-0302

E - Mail :

industrialvalve@futurejhb.co.za

iveskzn@futurejhb.co.za

ivesct@industrialvalve.co.za



BMC BALANCING VALVES SCREWED

951 FIXED ORIFICE DOUBLE REGULATING VALVE(FODRV)

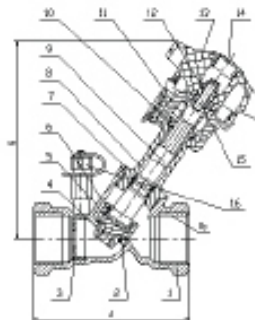
- ◆ Pressure Rating: PN25
- ◆ Working Medium: Water
- ◆ Working Temperature: $t \leq 120^{\circ}\text{C}$
- ◆ Taper Pipe Thread To ISO7
- ◆ Comply with BS7350

Specification

The Fixed Orifice Double Regulating Valve offers an accuracy of $\pm 5\%$ on all settings, for precise flow regulation. They are Y-pattern globe valves with characterised throttling disc tending towards equal percent- age performance. Fixed Orifice Double regulating feature allows valve opening to be set with an Allen key. Operation of the valve is by means of the Microset hand wheel.

Application

In multiple unit systems, the 951 has sufficient authority to give effective regulation over the range of flows covered by matching flow measurement devices/valves.



Bill of Materials

Sequence	Description	Material	Sizes
1	Body	Bronze C0481K	All
2	Disc Face	P.T.F.E	1" - 2"
2	Disc Face	DZR Brass CW602N	1/2" - 3/4"
3	Orifice Plate	DZR Brass CW602N	All
4	Nut	DZR Brass CW602N	All
5	Disc	DZR Brass CW602N	All
6	Disc Retaining Ring	DZR Brass CW602N	All
7	O Ring	N.B.R	All
8	Bonnet	DZR BRASS CW602N	1/2" - 1 1/4"
8	Bonnet	Bronze C0481K	1 1/2" - 2"
9	Stem	DZR BRASS CW602N	All
10	Retainer Ring	Stainless Steel 304	All
11	Sleeve	Brass CW617N	All
12	Screw	Brass CW614N	All
13	Handwheel	PA	All
14	Cap	PA	All
15	Screw	Stainless Steel 304	All
16	Test Points	DZR BRASS CW602N	All

Dimensions & Coeffients

951						
DN	NCH	A	B	F (w/ky)	kw	kw
15	5/8"	87	105	1.72	2.2	
20	3/4"	95	106	2.97	4.6	
25	1"	100	127	4.75	8.5	
32	1 1/8"	114	128	10.25	16.7	
40	1 1/2"	125	143	16.83	26.1	
50	2"	148	144	27.35	43.2	

All Specifications are subject to change without notice

Break Away
VALVES

TECHNOLOGY AT ITS BEST

INDUSTRIAL VALVE AND ENGINEERING SUPPLIES (Pty) Ltd.(IVES)

VAT REG NO: 4280104276 CO REG NO 83/05965/07

VALVE AND ENGINEERING MERCHANT COMPANY (Pty) Ltd (VEMCO)

VAT REG NO: 4200211854 CO REG NO 1979/002851/07



Branch : Address :

Head Office: 114 Plane Road, Spartan, Gauteng

Durban: Unit 1.5 Canberra Park, Canberra Road, Umbilo

Cape Town: Unit 14 Silver Park, Silver Street, Brackenfell

Tel :

27-11-394-2066(21 lines)

27-31-205-0218

27-21-982-0302

Fax :

27-11-394-2476

27-31-205-0210

27-21-982-0302

E - Mail :

industrialvalve@futurejhb.co.za

iveskzn@futurejhb.co.za

ivesct@industrialvalve.co.za



BMC BALANCING VALVES FLANGED

9201 FIXED ORIFICE DOUBLE REGULATING VALVE (FODRV)

- ◆ Pressure Rating: PN16
- ◆ Working Medium: Water
- ◆ Working Temperature: -10~120°C
- ◆ Flange to BSEN1092-2
- ◆ Comply with BS7350

Specification

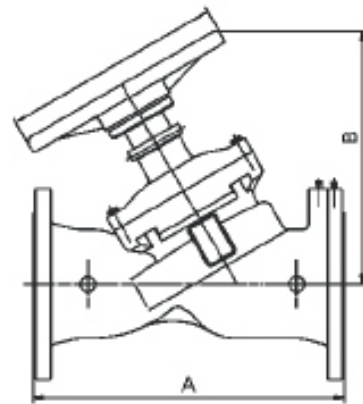
Y-Pattern globe valve with a characterised throttling disc and ends flanged to BS EN 1092-2 PN16.

The valve opening may be set to control flow at a pre-determined rate. Operation of the valve is by means of a handwheel incorporating a micrometer device.

The Double Regulating feature allows the valve to be used for isolation and to be reopened to its pre-set position to maintain required flow rate.

Application

In two unit systems, the 9201 has sufficient authority to regulate flow in circuits incorporating a flow measurement device.



Bill of Materials

Description	Material	Spec	Size
Body	Ductile Iron	EN-JL1050	All
Bonnet	Ductile Iron	EN-JL1050	All
Stem	Stainless Steel	BS970 410S21	All
Disc	EPDM Coated DI	EN-JL1050	All
Gland	Brass	EN 12165 CW617N	65-150mm
Gland	Ductile Iron	EN-JL1050	200-300mm
Stem Nut	Brass	EN 12165 CW617N	All
Handwheel	Ductile Iron	EN-JL1050	All
Test Points	Brass	EN 12165 CW617N	All
Orifice Plate	Brass	EN 12165 CW617N	All
Packing	Graphite	Non-Asbestos	All

Dimensions & Coefficients

9201						
DN	INCH	A	B	Flow (kv)	Kvs	Head Loss (kg)
65	2 1/2"	290	265	104	104	5.32
80	3"	310	270	112	116	6.48
100	4"	350	310	162	213	13.15
125	5"	400	340	254	333	8.32
150	6"	480	340	335	476	7.33
200	8"	600	537	535	768	8.26
250	10"	730	570	1099	1163	7.27
300	12"	850	690	1588	1743	8.36

All Specifications are subject to change without notice

Break Away
VALVES

TECHNOLOGY AT ITS BEST